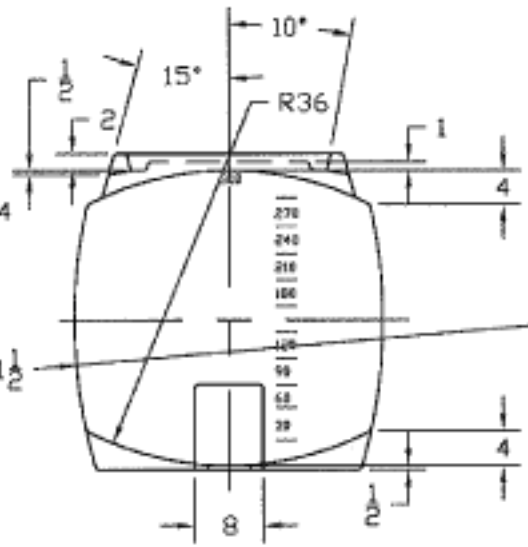
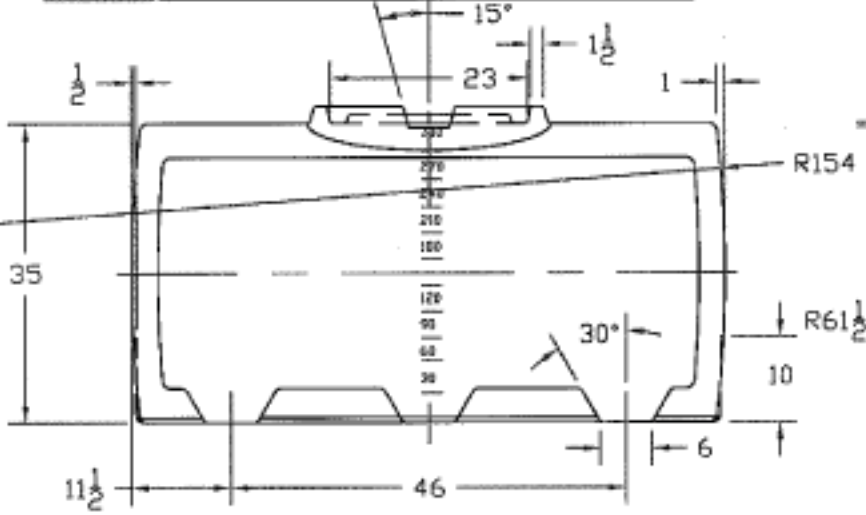
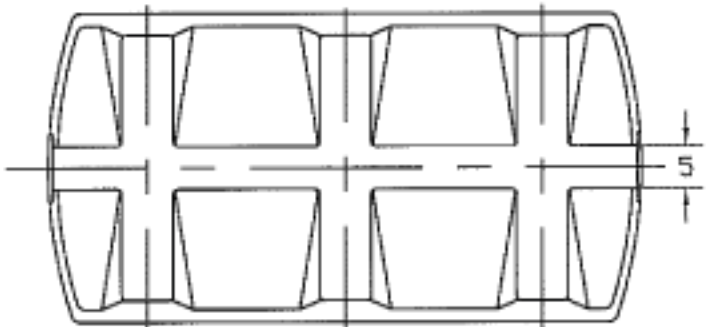



REVISIONS				
ZONE	REV	DESCRIPTION	DATE	APPROVED



---	34	31 3/4
---	30	28 7/16
---	26 13/16	25 1/4
---	23 11/16	22 3/16
---	20 5/8	19 1/8
---	17 5/8	16 1/16
---	14 9/16	13
---	11 1/2	9 15/16
---	8 3/8	6 3/4
---	5 3/16	3 7/16
---	0	



NOTE: GALLON MARKERS ONE END & ONE SIDE

 <b>PEABODY</b> engineering		<b>300 GALLON PCO TANK</b>		
		JTP 13SEP01	SIZE B	PSON NO.
SCALE 1/16		SHEET		